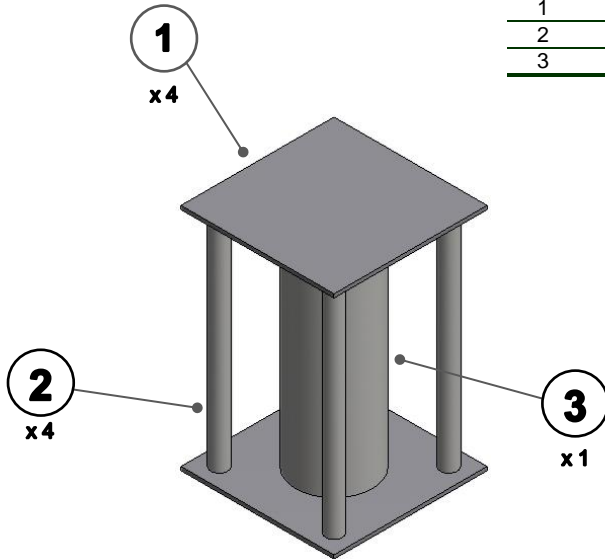


Modular Pipe Stand



Item	Qty	Material	Description
1	2	3/4" Plate 32" x 32"	Steel Plate
2	4	4" std pipe 46 1/2"	Steel Pipe
3	1	14" std pipe 46 1/2"	Steel Pipe

Specifications
32" W x 32" L x 48"H
950 lbs per Stand
85 Stands per Super-B
50 Stands per Tri-Axle
150 Ton Capacity
Vertical Loading Only
Rental or Sale

CONSTRUCTION

- Evenly Distribute Load Across Surface to Develop The Capacity and Provide Stability.
- 150 Ton Capacity is for Vertical Loading Only.
- Any Horizontal Forces Will Result in Lost Stability.
- In-Stock & Available.

Myshak keeps a healthy stock of Mod Stands on hand.



APPLICATIONS

- MODULE STORAGE
- OVERSIZED LOAD POSTIONING
- HEAVY LOAD TRANFERS
- INDUSTRIAL APPLICATIONS
- OVER-THE-ROAD TRANSPORT

WE APPRECIATE THE OPPORTUNITY TO EARN YOUR BUSINESS

1.866.960.9255

terry@myshaksales.com

www.myshakgroup.com